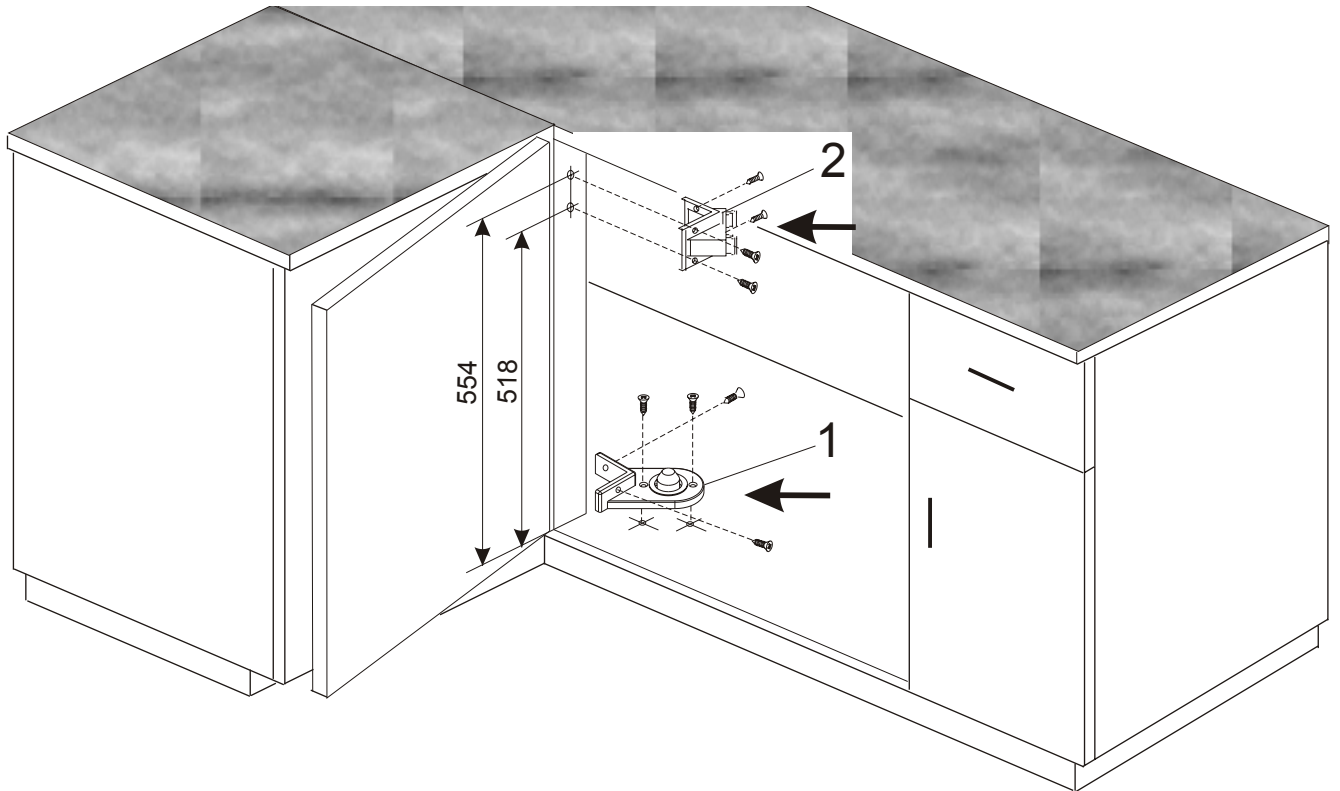


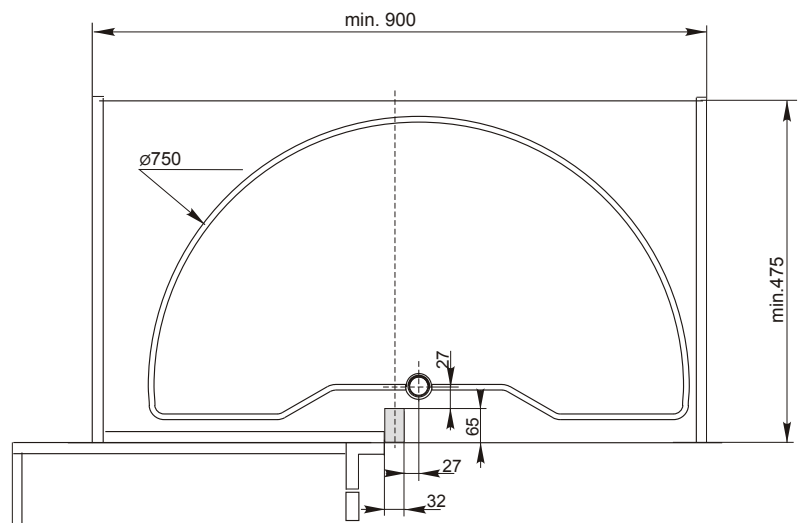
Assembly instructions for the KSH 2000, 180° shelf, KSH180GC

A

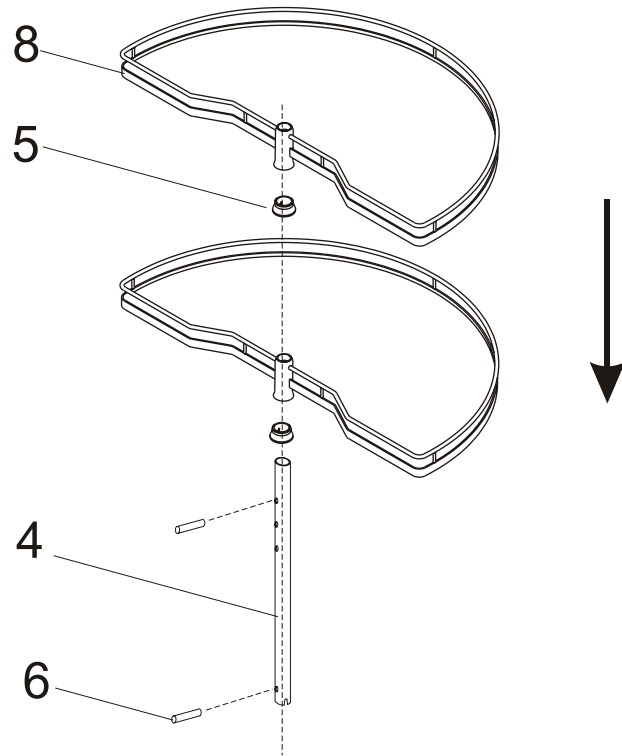


- 1. pivot bracket
- 2. upper bearing angle
- 3. upper bearing insertion
- 4. centre axle
- 5. support
- 6. straight pin
- 7. follower
- 8. swivel shelf

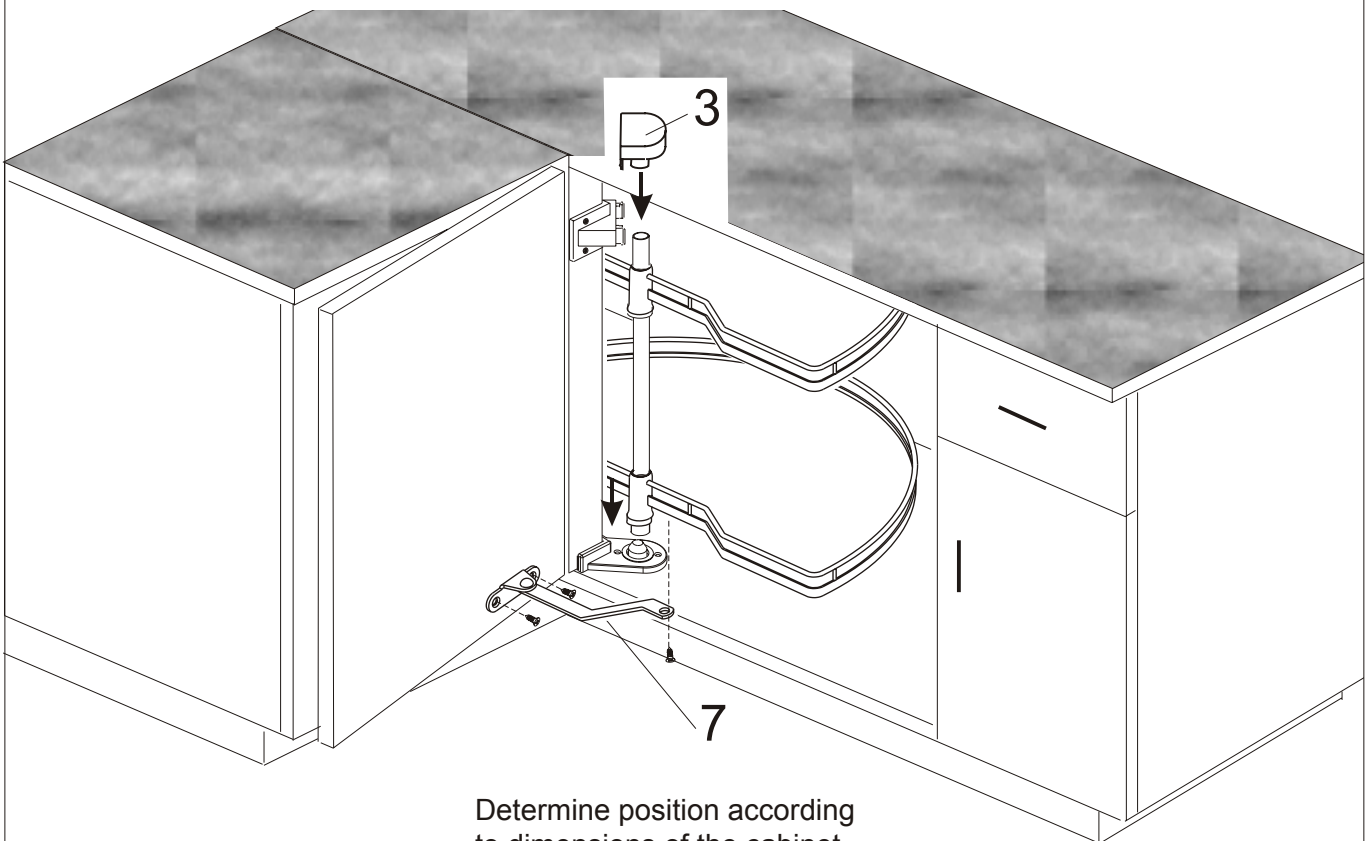
Hole position see drawing



B



C



Determine position according to dimensions of the cabinet