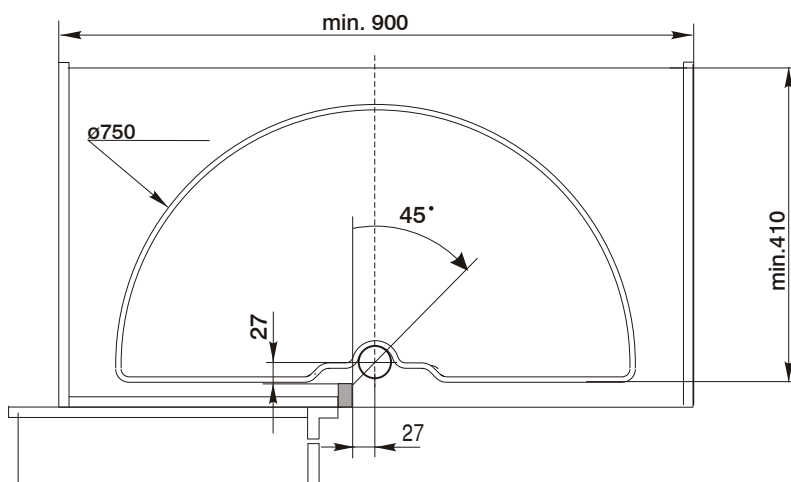
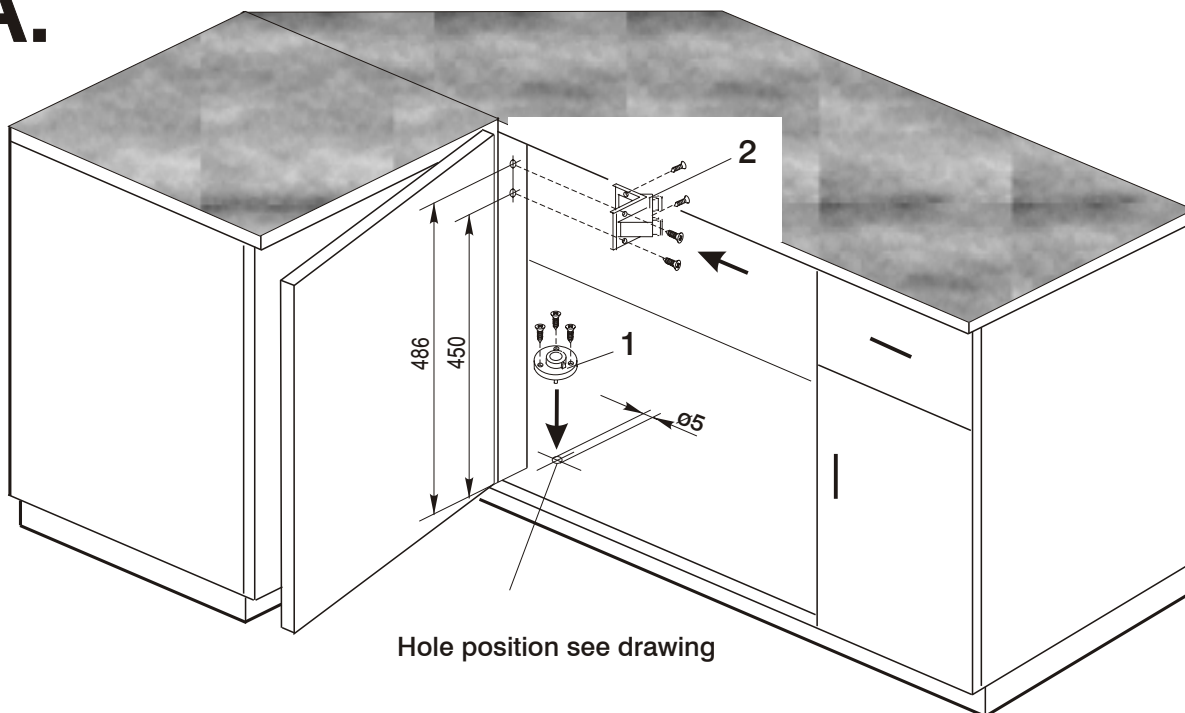

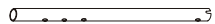



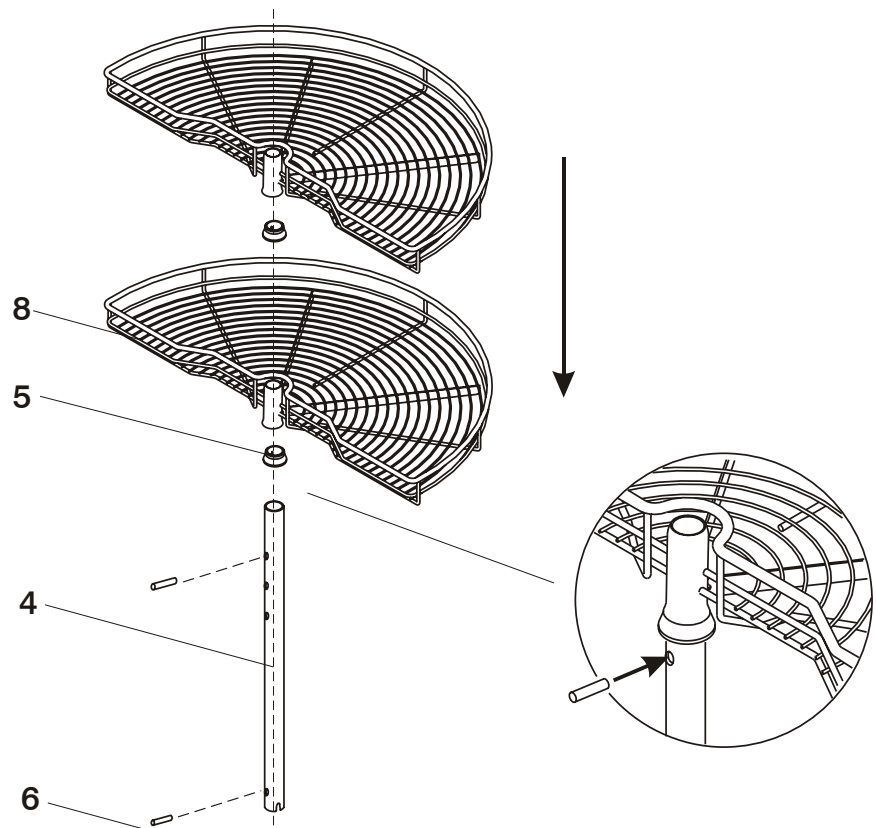
## Assembly instructions for 180° swivel basket, KWC180C

### A.



8	swivel basket		2
7	follower		1
6	straight pin		2
5	bearing		2
4	axle		1
3	upper bearing		1
2	upper bearing angle		1
1	pivot bracket ( with locking cam )		1
No.	Description		Qty

## B.



## C.

