

# Take time and plan

One of the most common types of wall units that you will see in a kitchen are the single and double wall units but a little planning & knowledge will open your mind to all the options available!

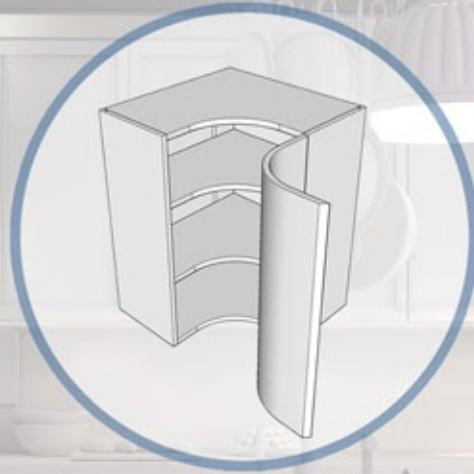
# More options than you think

Did you know that we have open wall units, corner curved units, bi-folding door units as well as ways of filling those small gaps that are sometimes left in your kitchen run?

**300MM CURVED WALL UNIT**



**600MM INTERNAL CURVED CORNER**



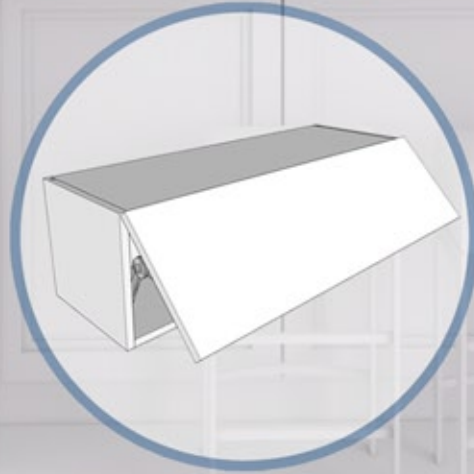
**HORIZONTAL BI-FOLD WALL UNIT**



**150MM WALL UNITS**



**500MM - 1000MM TOP BOX**



**600MM MICROWAVE WALL UNIT**

